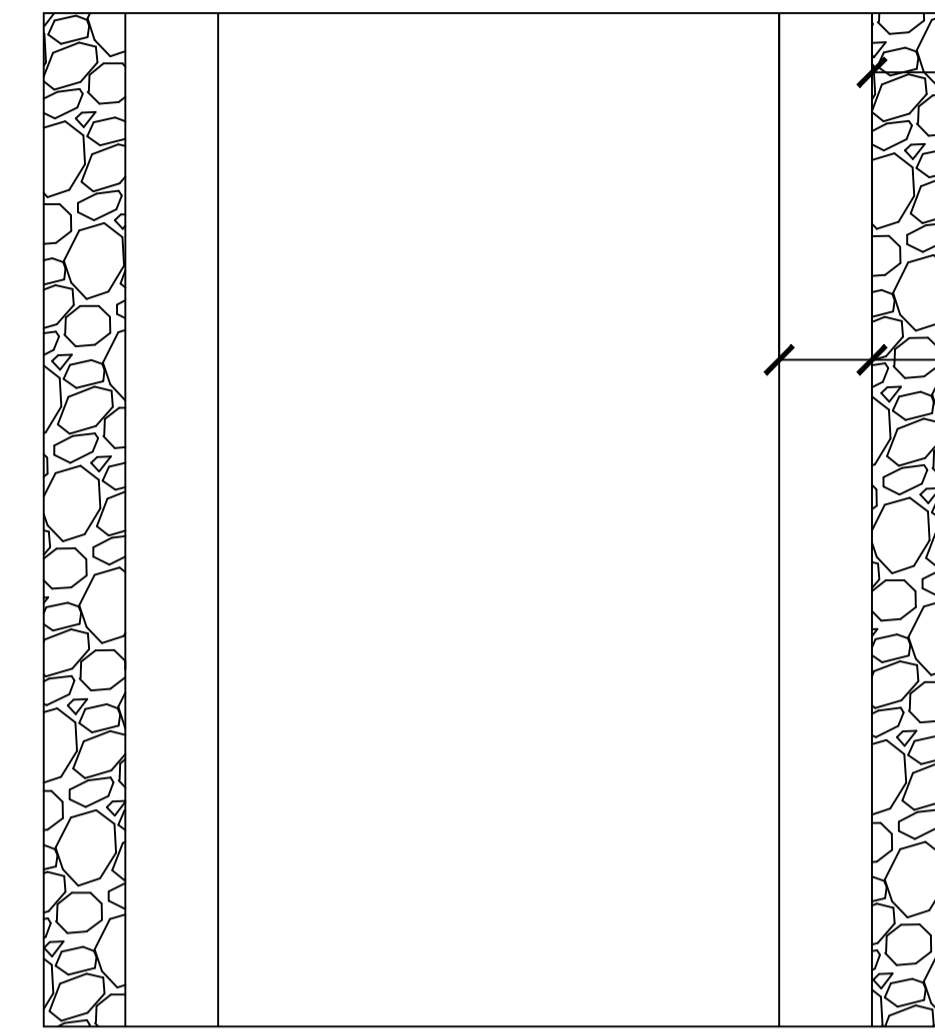


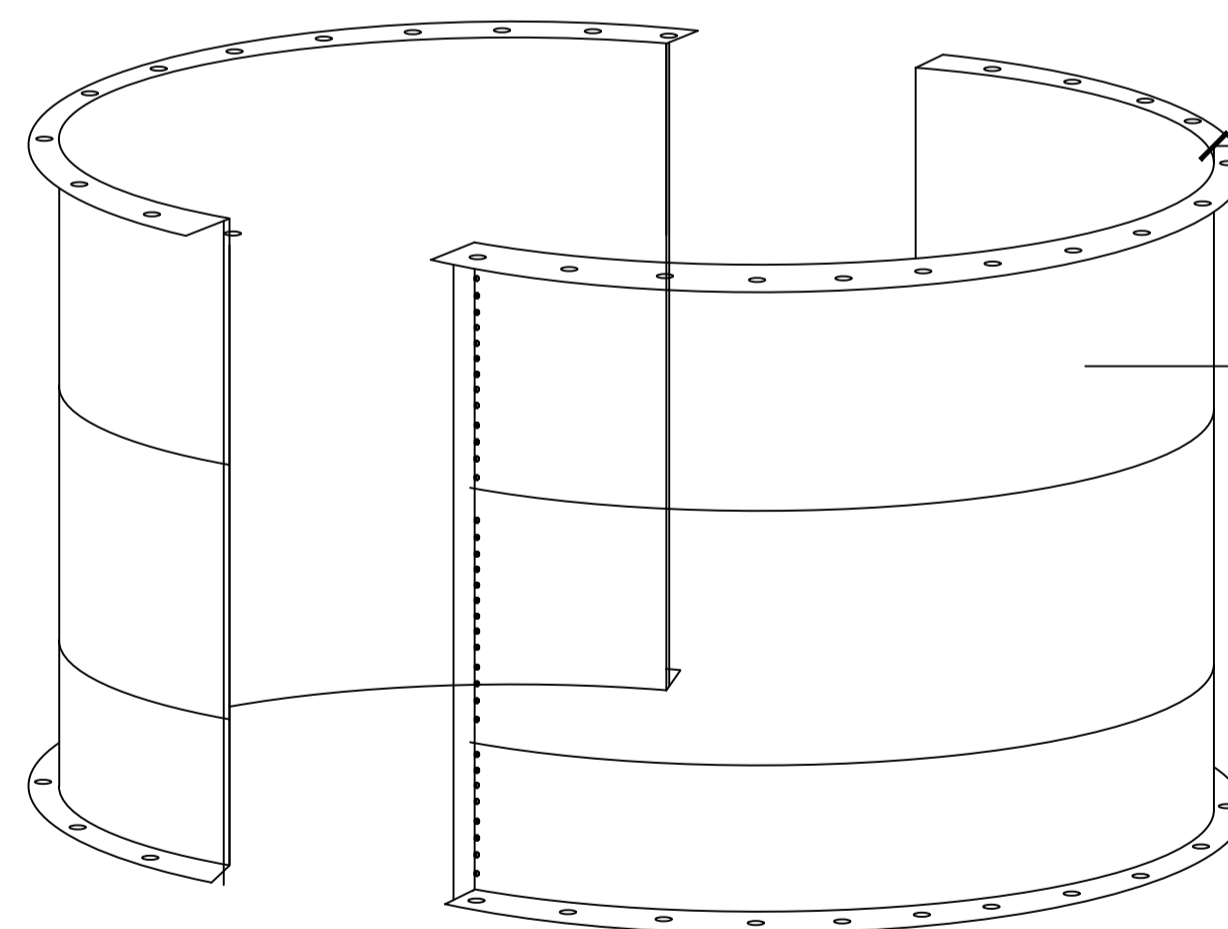
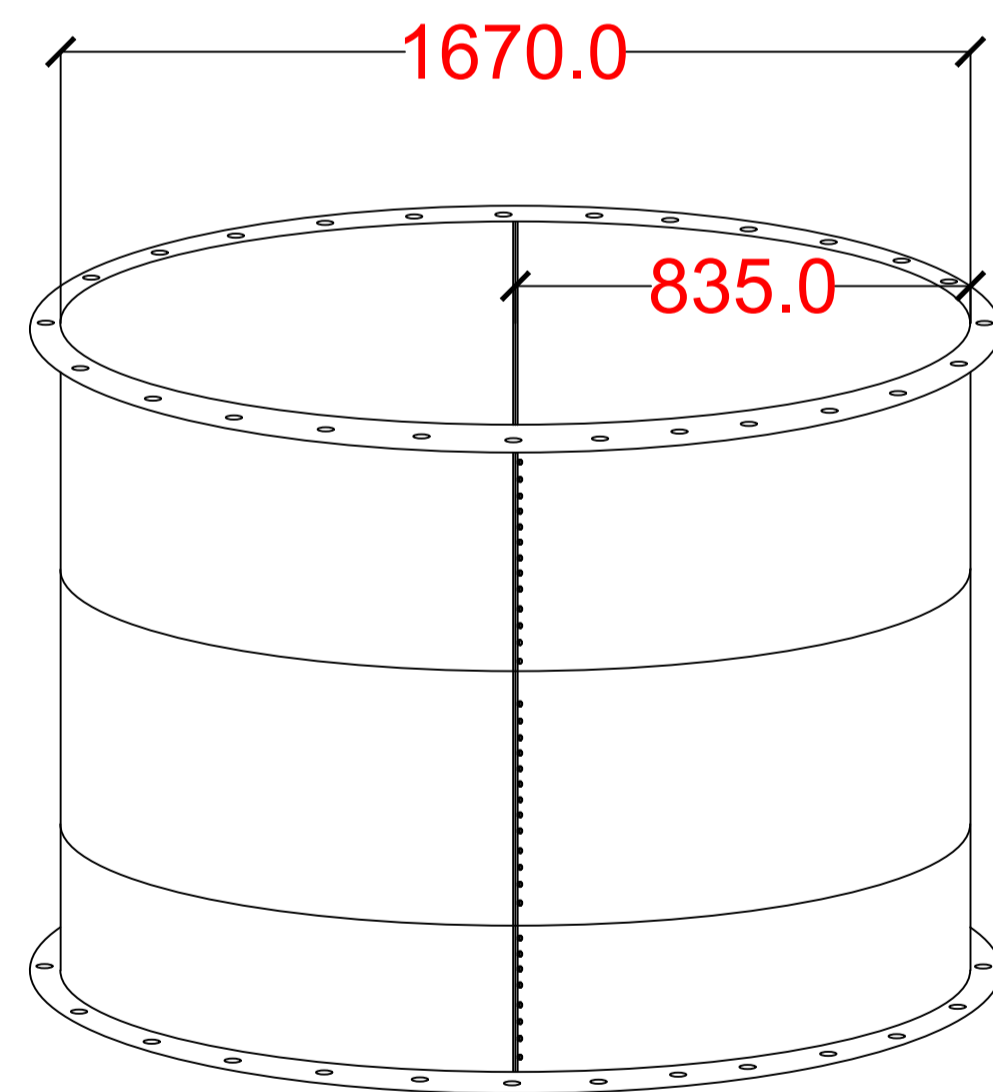
PANDANGAN ATAS



THICKNESS CONCRETE SURROUND 150.0MM

MANHOLE THICKNESS 170.0MM

PANDANGAN SISI



50mm

4mm Thickness